



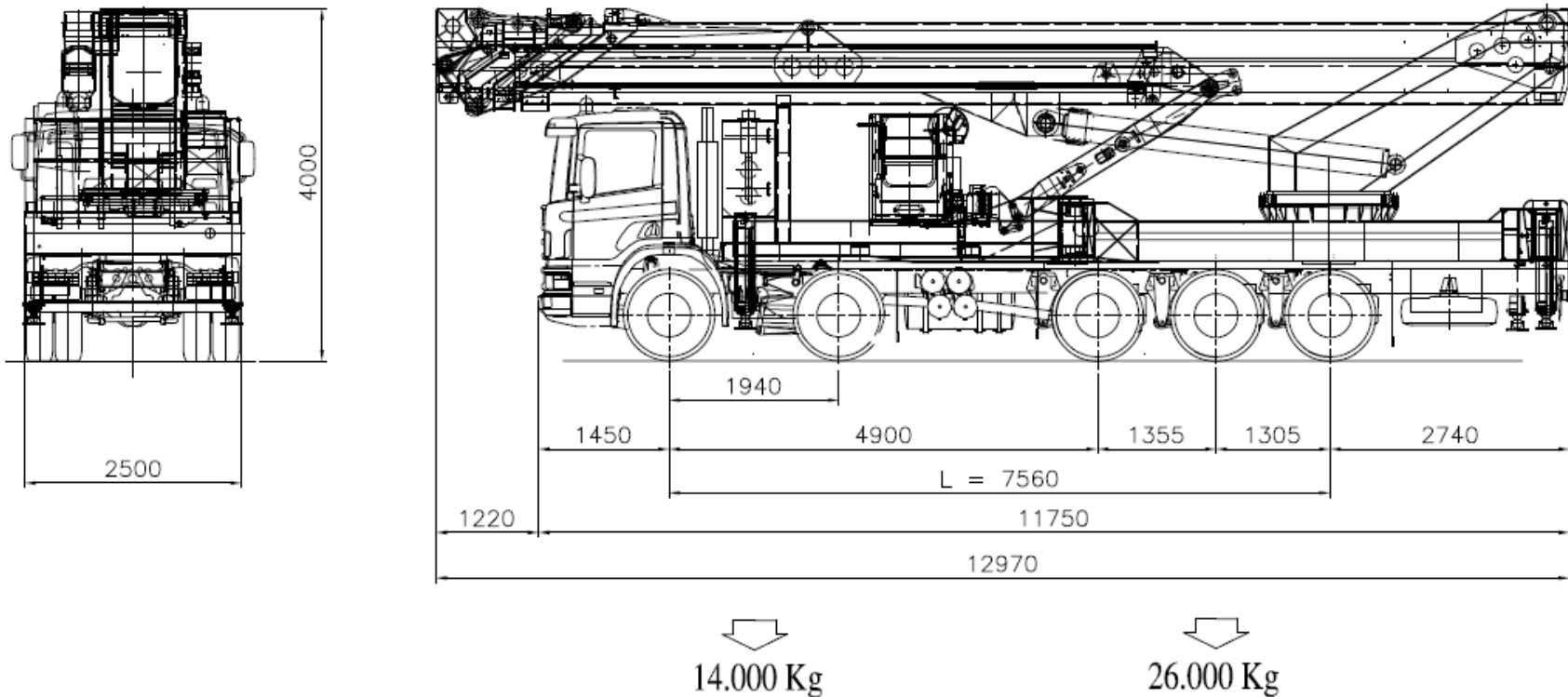
70M Tower AP 70/33 J2





70M Tower AP 70/33 J2

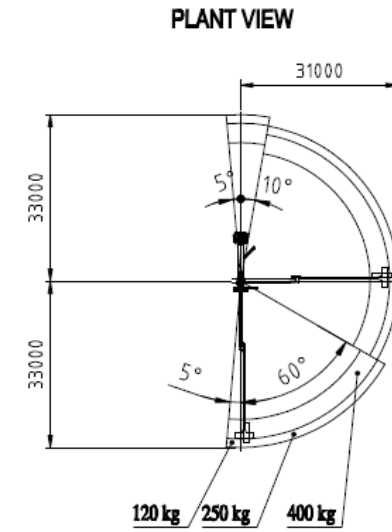
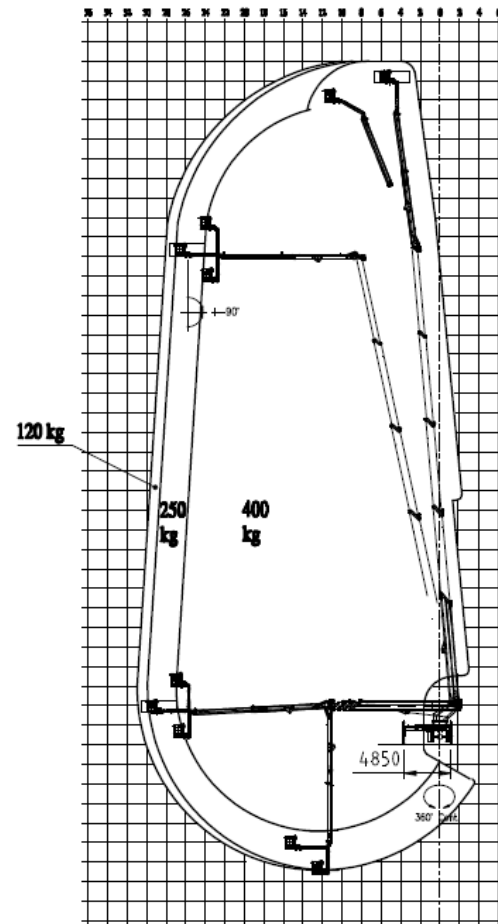
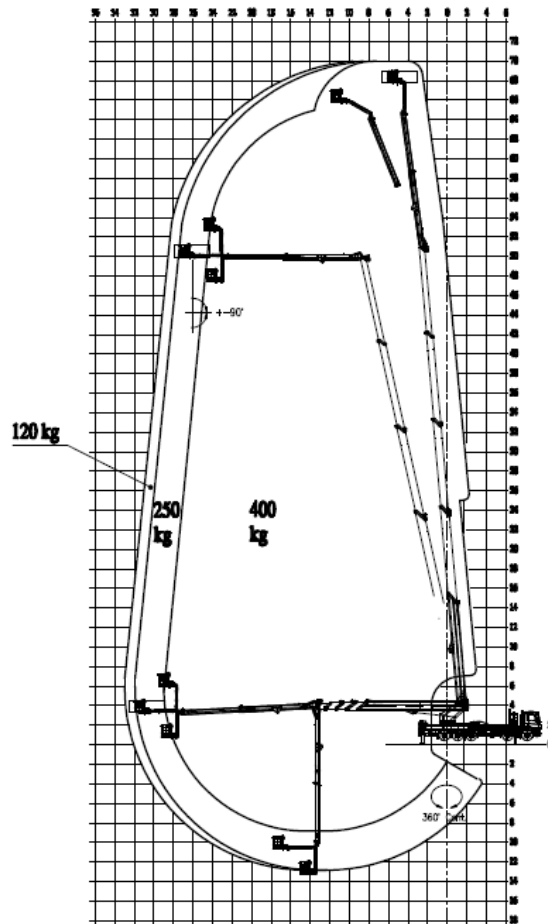
OVERALL DIMENSIONS IN ROAD TRANSPORT POSITION





70M Tower AP 70/33 J2

AP 70/33J2 2nd WORK RANGE DIAGRAM: FOR STABILISING BEAMS FULLY EXTENDED/ROTATED ON ONE SIDE OF THE VEHICLE ONLY (EITHER RIGHT OR LEFT SIDE) AND FULLY RETRACTED ON THE OTHER SIDE.
PLATFORM CAPACITY 120/250/400 kg

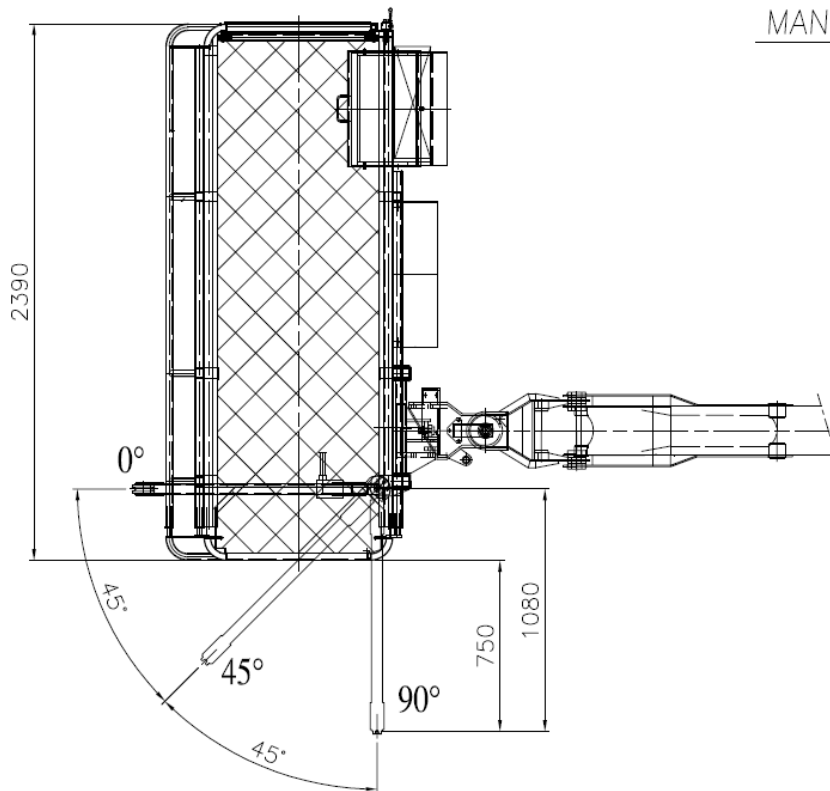




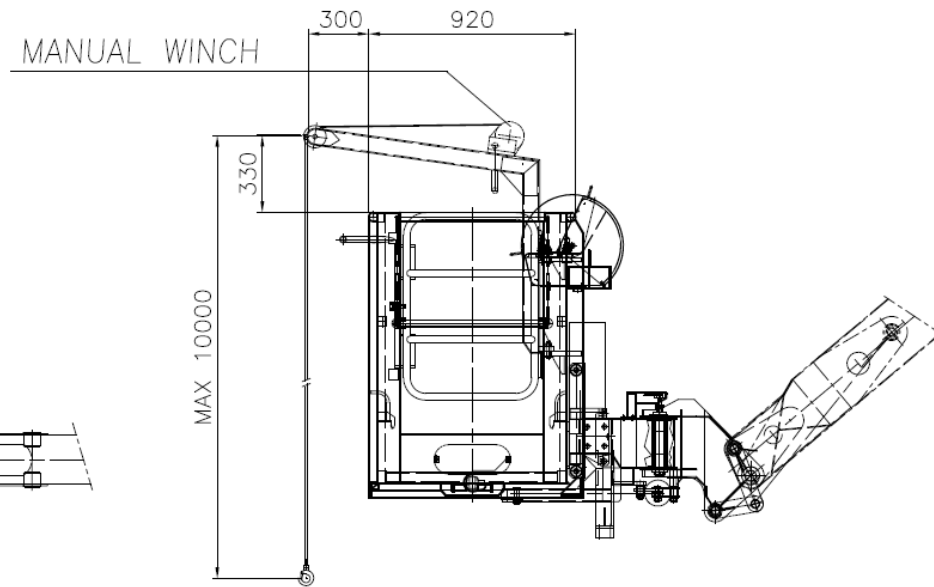
70M Tower AP 70/33 J2

Material Handing Crane

PLAN VIEW



SIDE VIEW



MAX 100 kg (Lifting capacity)



70M Tower AP 70/33 J2

Technical Data

MANUFACTURER:	BARIN S.r.L.
EQUIPMENT MODEL:	AP 70/33 J2
MANUFACTURE NUMBER:	319
TOTAL WEIGHT OF EQUIPPED UNIT IN ROAD TRANSPORT POSITION:	40000 kg
ROAD OVERALL DIMENSIONS:	13180 x 2500 x 4150 mm.
MAX. WORKING HEIGHT:	70 m.
MAX. PLATFORM DECK HEIGHT:	68 m.
MAX. WORKING OUTREACH:	33 m.
MAX. PLATFORM PAYLOAD:	120 kg (1 person + 40 kg of equipment) 250 kg (2 persons + 90 kg of equipment) 400 kg (4 persons + 80 kg of equipment)
MAX. PLATFORM SIZES:	3600x900x1100 mm.
PLATFORM ROTATION:	90° Right / 90° Left
TURRET ROTATION:	360° continuous
MAX. ADMITTED WIND SPEED :	12.5 m/s
MAX. ADMITTED MANUAL FORCE ON PLATFORM:	40 daN
MAX. ADMITTED INCLINATION OF CHASSIS BASE FRAME FOR OPERATION:	+/- 2%
VOLTAGE OF ELECTRIC CIRCUIT:	24 V
MAX. PRESSURE OF HYDRAULIC CIRCUIT:	240 bar
MAX. GROUND LOAD UNDERNEATH THE STABILISING CYLINDERS:	28500 kg
MAX. GROUND PRESSURE UNDERNEATH THE DISTRIBUTION PLATES:	7 kg/cm2